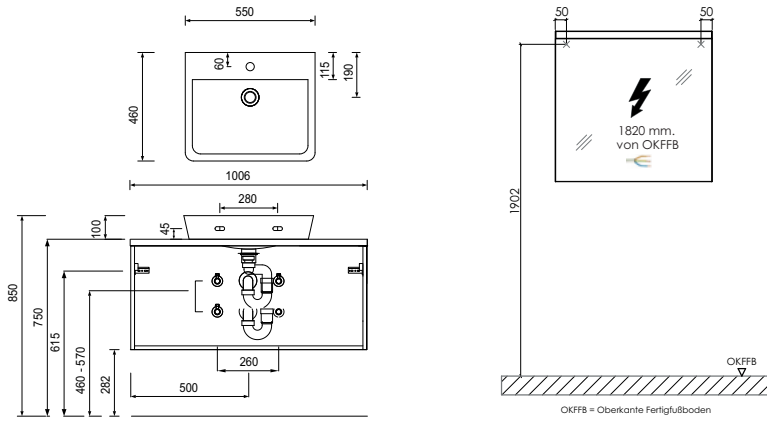


# Program 312 - dimensional drawings

WTA 0805 + WUA 3810 1G

electrical connections for mirror cabinets



## Modifications:

Technical modifications (+/- 5mm) and flatness modifications (DIN 18202) are subject of the usual material-specific modifications for construction materials, based on DIN 18202.