

new generation

UNIQUE Program 063



Front colours



No. 775 steel grey dark matt



No. 793 noble white matt



No. 722 polar white hgl.



no. 670 Halifax oak



No. 750 cardiff oak



no. 751 Cuneo oak brown



no. 771 Cuneo oak natural



no. 794 sand oak



No. 679 concrete imitation



foiled front

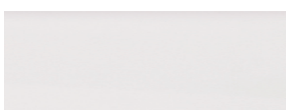


Melamine coated front with ABS-edge

Washbasin plates and top covers colours



No. 175
steel grey dark matt



No. 111
white matt



no. 174
Hunton oak



no. 170
Halifax oak



no. 150
cardiff oak



no. 151
Cuneo oak brown



no. 171 Cuneo oak natural



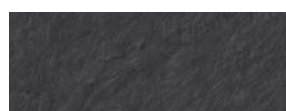
Nr. 185
natural oak



no. 194
sand oak



No. 179
concrete imitation



No. 143
Slate imitation
(only possible as washbasin colour)

carcass and side doubling colours

* High gloss carcass for an additional price



No. 175
steel grey dark matt



No. 111
white matt



*no. 161
white hgl.



no. 170
Halifax oak



no. 150
cardiff oak



no. 151
Cuneo oak brown



no. 171 Cuneo oak
natural



no. 194
sand oak



No. 179
concrete imitation

additional side doubling colour

(not possible as carcass colours)



no. 174
Hunton oak

Washbasin colours

Ceramic counter top washbasin

Connect Air



No. 1 white

Melbourne



No. 1 white

Málaga



No. 1 white

No. 21 white IdealPlus



Handle versions

handleless - handle profil in carcass colour



No. 324



handle bore 128 mm

Technique

No. 559



Pull outs and drawers

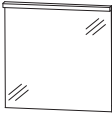
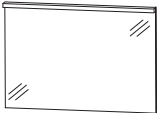



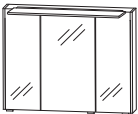
door with integrated buffered closing

Illustrations and specifications are without obligation. Technical modifications reserved.

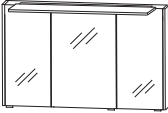


2022/2023 - ID

Please note the instruction for warranty, mounting and care, and the quality agreements as well, at the beginning of the book.

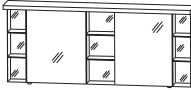



Program 063 - model list

Depth indication corresponds to the carcass depth		Depth in mm	Width in mm	Height in mm	Article number	Hinge
Mirrors						
	<p>Mirror LED lighting vertical 6,6 Watt / converter 15 Watt 1010 lumens / 6000 Kelvin incl. toggle switch This product contains a light source with energy efficiency class: D</p>	59	700	672	F S A 4 3 7 0 1 2	
	<p>Mirror LED lighting vertical 9,3 watt / converter 15 watt 1423 lumens / 6000 Kelvin incl. toggle switch This product contains a light source with energy efficiency class: D</p>	59	1000	672	F S A 4 3 1 0 1 2	
	<p>Mirror LED lighting vertical 11,4 watt / converter 15 watt 1744 lumens / 6000 Kelvin incl. toggle switch This product contains a light source with energy efficiency class: D</p>	59	1200	672	F S A 4 3 1 2 1 2	
	<p>Mirror LED lighting vertical 21,3 watt / converter 30 watt 1704 lumens / 6000 Kelvin incl. toggle switch This product contains a light source with energy efficiency class: G</p>	59	1400	672	F S A 4 3 1 4 1 2	
	<p>Mirror LED lighting vertical 26 watt / converter 30 watt 2077 lumens / 6000 Kelvin incl. toggle switch This product contains a light source with energy efficiency class: G</p>	59	1700	672	F S A 4 3 1 7 1 2	
Mirror cabinets						
	<p>mirror cabinet 3 mirror doors on wooden-plated side doubling 10 mm each 2 central partitions, 3 glass shelves 1 LED surface-mounted lamp 634 mm wide 9,28 watt / Converter 15 watt 731 lumens / 6500 Kelvin 1 switch socket element Door width: 196 mm / 296 mm / 196 mm This product contains a light source with energy efficiency class: G</p> <p>Additional accessories LED washbasin lighting</p>	172	720	640	S E T 4 3 7 D 0 2	
incl. handle blocks					P Z 1 0 6 3 6 0	

Program 063 - model list



Depth indication corresponds to the carcass depth		Depth in mm	Width in mm	Height in mm	Article number	Hinge
Mirror cabinets						
	<p>mirror cabinet 3 mirror doors on wooden-plated side doubling 10 mm each 2 central partitions, 3 glass shelves 1 LED surface-mounted lamp 934 mm wide 14,08 watt / converter 30watt 1109 lumens / 6500 Kelvin 1 switch socket element Door width: 288 mm / 412 mm / 288 mm This product contains a light source with energy efficiency class: G</p> <p>Additional accessories LED washbasin lighting</p>	172	1020	640	S E T 4 3 1 D 0 2	
incl. handle blocks					P Z 1 0 6 3 9 0	
	<p>mirror cabinet 3 mirror doors on wooden-plated side doubling 10 mm each 2 central partitions, 3 glass shelves 1 LED surface-mounted lamp 934 mm wide 14,08 watt / converter 30watt 1109 lumens / 6500 Kelvin 1 switch socket element Door width: 388 mm / 412 mm / 388 mm This product contains a light source with energy efficiency class: G</p> <p>Additional accessories LED washbasin lighting</p>	172	1220	640	S E T 4 3 2 D 0 2	
incl. handle blocks					P Z 1 0 6 3 1 2	
	<p>mirror cabinet 2 mirror doors on wooden-plated with 1 glass shelf each 1 central partition 1 flyover shelf with LED lighting 9,12 watt / converter 30 watt 2 x 351 lumens / 6000 Kelvin 2 mirror-finished shelf units outside 150 mm wide with 2 glass shelves each 1 switch socket element Door width: 546 mm / 546 mm This product contains a light source with energy efficiency class: G</p> <p>Additional accessories LED washbasin lighting (please order 2 pieces)</p>	150	1400	668	S 2 A 4 2 1 4 2 8	
incl. handle blocks					P Z 1 0 6 3 6 0	

Program 063 - model list


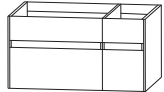

	Depth in mm	Width in mm	Height in mm	Article number	Hinge
Depth indication corresponds to the carcass depth					
Mirror cabinets					
 <p>incl. handle blocks</p>	150	1700	668	S 2 A 4 2 1 7 2 8 P Z 1 0 6 3 6 0	
<p>mirror cabinet 2 mirror doors on wooden-plated with 1 glass shelf each 1 flyover shelf with LED lighting 9,12 watt / converter 30 watt 2 x 351 lumens / 6000 Kelvin 3 mirror-finished shelf units with 2 glass shelves each outside 150 mm wide middel 300 mm wide 1 switch socket element Door width: 546 mm / 546 mm This product contains a light source with energy efficiency class: G</p> <p>Additional accessories LED washbasin lighting (please order 2 pieces)</p>					
Ceramic counter top washbasin					
	425	600	90	W T A 1 1 0 4 1 A U S 1 1 0 4 2 8	
<p>counter top washbasin Melbourne, white incl. tap hole incl. permanent drain</p> <p>Matching washstand cutout</p>					
	460	550	100	W T A 0 8 0 5 1 A U S 0 8 0 5 2 8	
<p>counter top washbasin Connect Air, white incl. tap hole with overflow trailing edge not glazed</p> <p>counter top washbasin Connect Air, IdealPlus, white* incl. tap hole with overflow trailing edge not glazed</p> <p>Matching washstand cutout</p>					
	420	550	95	W T A 4 2 5 5 1 A U S 4 2 5 5 2 8	
<p>ceramic counter too Málaga white incl. tap hole with overflow</p> <p>Matching washstand cutout</p>					

You find information on the the washbasin manufacturer at the beginning of the sales book.

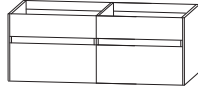
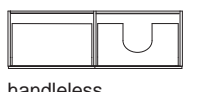
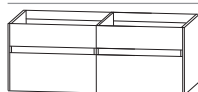
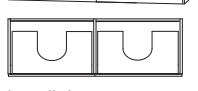
Program 063 - model list

Depth indication corresponds to the carcass depth		Depth in mm	Width in mm	Height in mm	Article number	Hinge
Washbasin plates						
	Width 726 mm for 1 cutout central	495	726	28	APA 5 0 7 0 6 3	
	Width 1026 mm for 1 cutout left, centred or right	495	1026	28	APA 5 0 1 0 6 3	
	Width 1226 mm for 1 cutout central	495	1226	28	APA 5 0 1 2 6 3	
	Width 1426 mm for 1 or 2 cutouts	495	1426	28	APA 5 0 1 4 6 3	
	Width 1726 mm for 1 or 2 cutouts	495	1726	28	APA 5 0 1 7 6 3	
	washbasin plate variable in width Price per metre Please state the position of the washbasin	495	726-2600	28	APN 6 0 V 2 8	
	Please note the additional price for washbasin cutouts.					
Washbasin base units						
	Washbasin base unit 1 drawer with buffered closing with syphon cut- out 1 pull-out with buffered closing side doubling 10 mm each					
handleless	without LED lighting	492	720	440	SET 3 8 7 S 1 G	
	with LED lighting 1 enlightened handle profile 3,1 watt / Converter 15 watt 333 lumens / 6300 Kelvin 1 motion sensor This product contains a light source with energy efficiency class: E	492	720	440	SET 3 8 7 S B G	
	Additional accessories Space-saving drain stench trap DN 40 Space-saving drain stench trap DN 32				PZ 1 3 6 7 PZ 1 4 2 3	

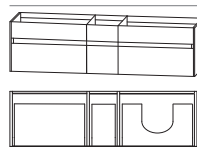
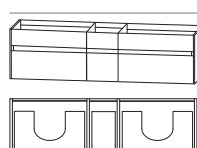
Program 063 - model list

Depth indication corresponds to the carcass depth		Depth in mm	Width in mm	Height in mm	Article number	Hinge
Washbasin base units						
 handleless	Washbasin base unit 1 drawer with buffered closing with syphon cut- out 1 pull-out with buffered closing side doubling 10 mm each without LED lighting	492	1020	440	SET 3 8 1 S 1 G	
	with LED lighting 1 enlightened handle profile 4,5 watt / converter 15 watt 485 lumens / 6300 Kelvin 1 motion sensor This product contains a light source with energy efficiency class: E Additional accessories Space-saving drain stench trap DN 40 Space-saving drain stench trap DN 32	492	1020	440	SET 3 8 1 S B G P Z 1 3 6 7 P Z 1 4 2 3	
 Ill. = right handleless	Washbasin base unit Washbasin base unit 700 mm wide 1 drawer with buffered closing with syphon cut- out 1 pull-out with buffered closing Base unit 300 mm wide 1 drawer with buffered closing 1 pull-out with buffered closing side doubling 10 mm each without LED lighting	492	1020	440	SET 3 8 1 0 1 G L/R	
	with LED lighting 2 enlightened handle profiles 4,4 watt / converter 15 watt 333 + 128 lumens / 6300 Kelvin 1 motion sensor This product contains a light source with energy efficiency class: E Additional accessories Space-saving drain stench trap DN 40 Space-saving drain stench trap DN 32	492	1020	440	SET 3 8 1 0 B G L/R P Z 1 3 6 7 P Z 1 4 2 3	
 handleless	Washbasin base unit 1 drawer with buffered closing with syphon cut- out 1 pull-out with buffered closing side doubling 10 mm each without LED lighting	492	1220	440	SET 3 8 2 S 1 G	
	with LED lighting 1 enlightened handle profile 5,5 Watt / converter 15 Watt 589 lumens / 6300 Kelvin 1 motion sensor This product contains a light source with energy efficiency class: E Additional accessories Space-saving drain stench trap DN 40 Space-saving drain stench trap DN 32	492	1220	440	SET 3 8 2 S B G P Z 1 3 6 7 P Z 1 4 2 3	

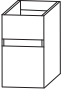
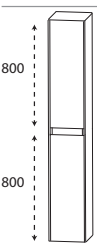
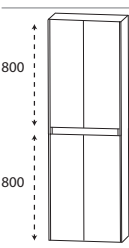
Program 063 - model list

Depth indication corresponds to the carcass depth	Depth in mm	Width in mm	Height in mm	Article number	Hinge
<h2>Washbasin base units</h2>					
  <p>handleless Ill. = left Left shelf</p>	<p>Washbasin base unit for single washbasin solution</p> <p>1 Washbasin base unit 1 drawer with buffered closing with syphon cut- out 1 pull-out with buffered closing 1 Base unit 1 drawer with buffered closing 1 pull-out with buffered closing side doubling 10 mm each</p>				
	492	1420	440	SET 3 8 4 E 1 G	L/R
	492	1420	440	SET 3 8 4 E B G	L/R
				<p>without LED lighting</p> <p>with LED lighting 2 enlightened handle profiles 6,2 watt / converter 15 watt 333 + 333 lumens / 6300 Kelvin 1 motion sensor This product contains a light source with energy efficiency class: E</p>	
				<p>Additional accessories</p> <p>Space-saving drain stench trap DN 40 Space-saving drain stench trap DN 32</p>	
				<p>P Z 1 3 6 7 P Z 1 4 2 3</p>	
<p>You find a matching mirror in program 021.</p>					
  <p>handleless</p>	<p>Washbasin base unit for double washbasin solutions</p> <p>2 Washbasin base units per 1 drawer with buffered closing with syphon cut- out per 1 pull-out with buffered closing side doubling 10 mm each</p>				
	492	1420	440	SET 3 8 1 4 1 G	
	492	1420	440	SET 3 8 1 4 B G	
				<p>without LED lighting</p> <p>with LED lighting 2 enlightened handle profiles 6,2 watt / converter 15 watt 333 + 333 lumens / 6300 Kelvin 1 motion sensor This product contains a light source with energy efficiency class: E</p>	
				<p>Additional accessories</p> <p>Space-saving drain stench trap DN 40 (order 2 pieces) Space-saving drain stench trap DN 32 (order 2 pieces)</p>	
				<p>P Z 1 3 6 7 P Z 1 4 2 3</p>	

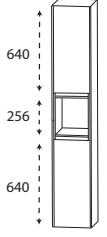
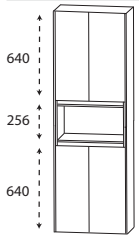
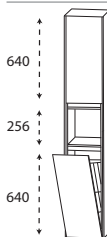
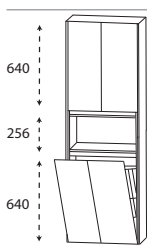
Program 063 - model list

Depth indication corresponds to the carcass depth	Depth in mm	Width in mm	Height in mm	Article number	Hinge
<h2>Washbasin base units</h2>					
 <p> Washbasin base unit for single washbasin solution 1 Washbasin base unit 700 mm wide 1 drawer with buffered closing with syphon cut- out 1 pull-out with buffered closing 1 Base unit 300 mm width 1 drawer with buffered closing 1 pull-out with buffered closing 1 Base unit 700 mm wide 1 drawer with buffered closing 1 pull-out with buffered closing side doubling 10 mm each without LED lighting with LED lighting 3 enlightened handle profiles 7,5 watt / converter 15 watt 333 + 128 + 333 lumens / 6300 Kelvin 1 motion sensor This product contains a light source with energy efficiency class: E Additional accessories Space-saving drain stench trap DN 40 Space-saving drain stench trap DN 32 </p> <p> handleless Ill. = left Left shelf </p>	<p>492</p> <p>492</p>	<p>1720</p> <p>1720</p>	<p>440</p> <p>440</p>	<p>SET 3 8 7 E 1 G</p> <p>SET 3 8 7 E B G</p> <p>P Z 1 3 6 7</p> <p>P Z 1 4 2 3</p>	<p>L/R</p> <p>L/R</p>
 <p> Washbasin base unit for double washbasin solutions 2 Washbasin base units per 700 mm wide per 1 drawer with buffered closing with syphon cut- out per 1 pull-out with buffered closing 1 Base unit 300 mm width 1 drawer with buffered closing 1 pull-out with buffered closing side doubling 10 mm each without LED lighting with LED lighting 3 enlightened handle profiles 7,5 watt / converter 15 watt 333 + 128 + 333 lumens / 6300 Kelvin 1 motion sensor This product contains a light source with energy efficiency class: E Additional accessories Space-saving drain stench trap DN 40 (order 2 pieces) Space-saving drain stench trap DN 32 (order 2 pieces) </p> <p> handleless </p>	<p>492</p> <p>492</p>	<p>1720</p> <p>1720</p>	<p>440</p> <p>440</p>	<p>SET 3 8 1 7 1 G</p> <p>SET 3 8 1 7 B G</p> <p>P Z 1 3 6 7</p> <p>P Z 1 4 2 3</p>	

Program 063 - model list

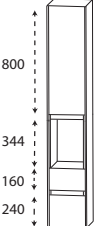
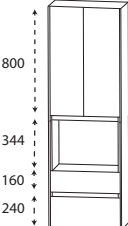
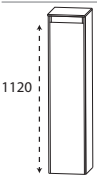
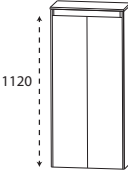
Depth indication corresponds to the carcass depth		Depth in mm	Width in mm	Height in mm	Article number	Hinge
optional Base units for washbasin plates						
 handleless	washbasin base unit 1 drawer with buffered closing 1 pull-out with buffered closing					
	without LED lighting with LED lighting 1 enlightened handle profile 1,3 Watt / 128 lumens / 6300 Kelvin This product contains a light source with energy efficiency class: E orderable to already existing washbasin-units to be able to plan further widths Additional accessories 4 x body connecting screws	470	300	440	U T A 3 8 3 0 1 G	
		470	300	440	U T A 3 8 3 0 B G	
					5 0 4 2 7 9	
Tall units						
 handleless	Tall unit 2 doors 4 glass shelves side doubling 10 mm each	322	320	1630	H N A 0 3 3 A 1 G	L/R
		322	420	1630	H N A 0 3 4 A 1 G	L/R
 handleless	Tall unit 4 doors 4 glass shelves side doubling 10 mm each	322	620	1630	H N A 0 3 6 A 1 G	

Program 063 - model list

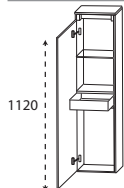
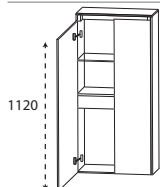
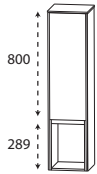
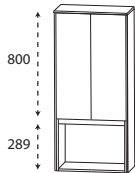
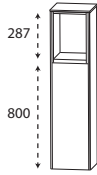
Depth indication corresponds to the carcass depth		Depth in mm	Width in mm	Height in mm	Article number	Hinge
Tall units						
 <p>handleless</p>	<p>Tall unit 2 doors 1 glass shelf (top) 1 glass shelf 1 open compartment side doubling 10 mm each</p>	322	320	1630	H N A 0 2 3 A 1 G	L/R
		322	420	1630	H N A 0 2 4 A 1 G	L/R
 <p>handleless</p>	<p>Tall unit 4 doors 1 open compartment 1 glass shelf (top) 1 glass shelf side doubling 10 mm each</p>	322	620	1630	H N A 0 2 6 A 1 G	
 <p>handleless</p>	<p>Tall unit with laundry basket 1 door 1 glass shelf (top) 1 open compartment 1 laundry basket with wire basket side doubling 10 mm each</p> <p>Volume of laundry basket: 25 liters</p> <p>Volume of laundry basket: 35 liters</p>	322	320	1630	H N A 0 2 3 A 1 W	L/R
		322	420	1630	H N A 0 2 4 A 1 W	L/R
 <p>handleless</p>	<p>Tall unit with laundry basket 2 doors 1 glass shelf (top) 1 open compartment 1 laundry basket with wire basket Volume of laundry basket: 55 liters side doubling 10 mm each</p>	322	620	1630	H N A 0 2 6 A 1 W	

Program 063 - model list

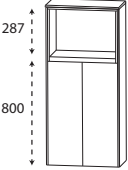
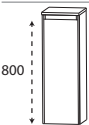
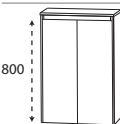
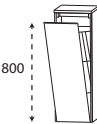
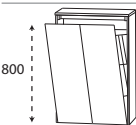
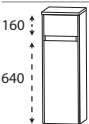
Depth indication corresponds to the carcass depth

	Depth in mm	Width in mm	Height in mm	Article number	Hinge
Tall units					
 <p>800 344 160 240</p> <p>handleless</p>	322	320	1630	H N A 0 2 3 A 2 G	L/R
	322	420	1630	H N A 0 2 4 A 2 G	L/R
 <p>800 344 160 240</p> <p>handleless</p>	322	620	1630	H N A 0 2 6 A 2 G	
Central units					
 <p>1120</p> <p>handleless</p>	325	325	1160	M N A 7 1 3 A 1 G	L/R
	325	425	1160	M N A 7 1 4 A 1 G	L/R
 <p>1120</p> <p>handleless</p>	325	625	1160	M N A 7 1 6 A 1 G	

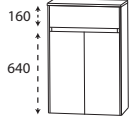
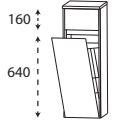
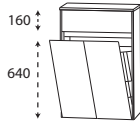
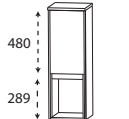
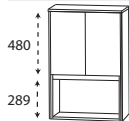
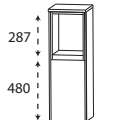
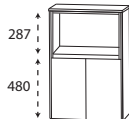
Program 063 - model list

Depth indication corresponds to the carcass depth		Depth in mm	Width in mm	Height in mm	Article number	Hinge	
Central units							
 <p>1120</p> <p>handleless</p>	medium-high unit with inside drawer		325	325	1160	M N A 7 4 3 A 1 G	L/R
	<ul style="list-style-type: none"> 1 door 1 glass shelf (top) 1 inside drawer with buffered closing side doubling 10 mm each 1 top cover 325 mm deep 		325	425	1160	M N A 7 4 4 A 1 G	L/R
 <p>1120</p> <p>handleless</p>	medium-high unit with inside drawer		325	625	1160	M N A 7 4 6 A 1 G	
	<ul style="list-style-type: none"> 2 doors 1 glass shelf (top) 1 consistent inside drawer with buffered closing side doubling 10 mm each 1 top cover 325 mm deep 						
 <p>800</p> <p>289</p> <p>handleless</p>	medium-high unit		325	325	1160	M N A 7 1 3 A 2 G	L/R
	<ul style="list-style-type: none"> 1 door 2 glass shelves 1 open compartment below side doubling 10 mm each 1 top cover 325 mm deep 		325	425	1160	M N A 7 1 4 A 2 G	L/R
 <p>800</p> <p>289</p> <p>handleless</p>	medium-high unit		325	625	1160	M N A 7 1 6 A 2 G	
	<ul style="list-style-type: none"> 2 doors 2 glass shelves 1 open compartment below side doubling 10 mm each 1 top cover 325 mm deep 						
 <p>287</p> <p>800</p> <p>handleless</p>	medium-high unit		325	325	1160	M N A 7 1 3 A 3 G	L/R
	<ul style="list-style-type: none"> 1 open compartment above 1 door 2 glass shelves side doubling 10 mm each 1 top cover 325 mm deep 		325	425	1160	M N A 7 1 4 A 3 G	L/R

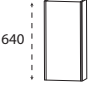
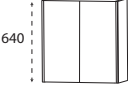

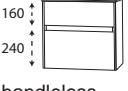
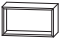

Program 063 - model list

	Depth in mm	Width in mm	Height in mm	Article number	Hinge
Depth indication corresponds to the carcass depth					
Central units					
 <p>287 800</p> <p>handleless</p>	325	625	1160	MNA 7 1 6 A 3 G	
<p>medium-high unit 1 open compartment above 2 doors 2 glass shelves side doubling 10 mm each 1 top cover 325 mm deep</p>					
Highboards					
 <p>800</p> <p>handleless</p>	325	325	840	HBA 5 1 3 A 1 G	L/R
<p>Highboard 1 door 2 glass shelves side doubling 10 mm each 1 top cover 325 mm deep</p>					
	325	425	840	HBA 5 1 4 A 1 G	L/R
<p>Highboard 2 doors 2 glass shelves side doubling 10 mm each 1 top cover 325 mm deep</p>					
 <p>800</p> <p>handleless</p>	325	625	840	HBA 5 1 6 A 1 G	
<p>Highboard with laundry basket 1 laundry basket with wire basket side doubling 10 mm each 1 top cover 325 mm deep</p>					
 <p>800</p> <p>handleless</p>	325	325	840	HBA 5 1 3 AWG	
<p>Volume of laundry basket: 25 liters</p>					
	325	425	840	HBA 5 1 4 AWG	
<p>Volume of laundry basket: 35 liters</p>					
 <p>800</p> <p>handleless</p>	325	625	840	HBA 5 1 6 AWG	
<p>Highboard with laundry basket 1 laundry basket with wire basket Volume of laundry basket: 55 liters side doubling 10 mm each 1 top cover 325 mm deep</p>					
 <p>160 640</p> <p>handleless</p>	325	325	840	HBA 5 5 3 A 1 G	L/R
<p>Highboard 1 drawer with buffered closing 1 door 1 glass shelf side doubling 10 mm each 1 top cover 325 mm deep</p>					
	325	425	840	HBA 5 5 4 A 1 G	L/R


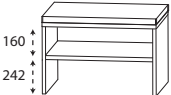
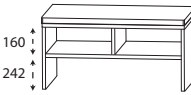

Program 063 - model list

Depth indication corresponds to the carcass depth		Depth in mm	Width in mm	Height in mm	Article number	Hinge
Highboards						
	<p>Highboard 1 drawer with buffered closing 2 doors 1 glass shelf side doubling 10 mm each 1 top cover 325 mm deep</p> <p>handleless</p>	325	625	840	H B A 5 5 6 A 1 G	
	<p>Highboard with laundry basket 1 drawer with buffered closing 1 laundry basket with wire basket side doubling 10 mm each 1 top cover 325 mm deep</p> <p>handleless</p>	325	325	840	H B A 5 5 3 A W G	
	Volume of laundry basket: 25 liters	325	425	840	H B A 5 5 4 A W G	
	Volume of laundry basket: 35 liters	325	425	840	H B A 5 5 4 A W G	
	<p>Highboard with laundry basket 1 drawer with buffered closing 1 laundry basket with wire basket Volume of laundry basket: 55 liters side doubling 10 mm each 1 top cover 325 mm deep</p> <p>handleless</p>	325	625	840	H B A 5 5 6 A W G	
	<p>Highboard 1 door 1 glass shelf 1 open compartment below side doubling 10 mm each 1 top cover 325 mm deep</p> <p>handleless</p>	325	325	840	H B A 5 1 3 A 2 G	L/R
		325	425	840	H B A 5 1 4 A 2 G	L/R
	<p>Highboard 2 doors 1 glass shelf 1 open compartment below side doubling 10 mm each 1 top cover 325 mm deep</p> <p>handleless</p>	325	625	840	H B A 5 1 6 A 2 G	
	<p>Highboard 1 open compartment above 1 door 1 glass shelf side doubling 10 mm each 1 top cover 325 mm deep</p> <p>handleless</p>	325	325	840	H B A 5 1 3 A 3 G	L/R
		325	425	840	H B A 5 1 4 A 3 G	L/R
	<p>Highboard 1 open compartment above 2 doors 1 glass shelf side doubling 10 mm each 1 top cover 325 mm deep</p> <p>handleless</p>	325	625	840	H B A 5 1 6 A 3 G	





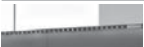
Program 063 - model list

Depth indication corresponds to the carcass depth		Depth in mm	Width in mm	Height in mm	Article number	Hinge
Wall units						
 <p>640 handleless</p>	Wall unit 1 door 1 glass shelf side doubling 10 mm each	172	320	640	O G A 4 1 3 A 1 G	L/R
		172	420	640	O G A 4 1 4 A 1 G	L/R
 <p>640 handleless</p>	Wall unit 2 doors 1 glass shelf side doubling 10 mm each	172	620	640	O G A 4 1 6 A 1 G	
Base units						
 <p>160 240 handleless</p>	Base unit 1 drawer with buffered closing 1 pull-out with buffered closing side doubling 10 mm each 1 top cover 325 mm deep	325	325	450	U N A 3 8 3 A 1 G	
		325	425	450	U N A 3 8 4 A 1 G	
 <p>160 240 handleless</p>	Base unit 1 drawer with buffered closing 1 pull-out with buffered closing side doubling 10 mm each 1 top cover 325 mm deep	325	625	450	U N A 3 8 6 A 1 G	
Shelves						
	functional shelf Edges are cut with a mitre vertical and horizontal mounting possible please indicate colour version: no. 501 white matt lacquered no. 547 black matt lacquered	150	300	160	R G L 1 1 3 0 0 1	
	functional shelf Edges are cut with a mitre vertical and horizontal mounting possible please indicate colour version: no. 501 white matt lacquered no. 547 black matt lacquered	150	600	160	R G L 1 1 6 0 0 2	

Program 063 - model list

Depth indication corresponds to the carcass depth		Depth in mm	Width in mm	Height in mm	Article number	Hinge
<h2>Shelves</h2>  <p>functional shelf Edges are cut with a mitre vertical and horizontal mounting possible</p> <p>please indicate colour version: no. 501 white matt lacquered no. 547 black matt lacquered</p>		150	900	160	R G L 1 1 9 0 0 3	
<h2>Benches</h2>  <p>Bench 1 shelf 1 seat cushion in imitation leather Colour version corresponds to the carcass colour</p> <p>cushion in creamy-white</p> <p>cushion in black</p>		450	600	508	S E T B A N K 6 W	
		450	600	508	S E T B A N K 6 S	
 <p>Bench 2 shelves 1 seat cushion in imitation leather Colour version corresponds to the carcass colour</p> <p>cushion in creamy-white</p> <p>cushion in black</p>		450	900	508	S E T B A N K 9 W	
		450	900	508	S E T B A N K 9 S	
<h2>Glass shelves</h2>  <p>Glass shelf incl. metal holder</p> <p>400 mm wide incl. 2 metal brackets</p> <p>600 mm wide incl. 2 metal brackets</p> <p>700 mm wide incl. 2 metal brackets</p> <p>900 mm wide incl. 3 metal brackets</p> <p>1000 mm wide incl. 3 metal brackets</p> <p>1200 mm wide incl. 3 metal brackets</p> <p>1400 mm wide incl. 4 metal brackets</p>		130	400	8	A B G 1 3 4 0 0 8	
		130	600	8	A B G 1 3 6 0 0 8	
		130	700	8	A B G 1 3 7 0 0 8	
		130	900	8	A B G 1 3 9 0 0 8	
		130	1000	8	A B G 1 3 1 0 0 8	
		130	1200	8	A B G 1 3 1 2 0 8	
		130	1400	8	A B G 1 3 1 4 0 8	

Program 063 - model list

Depth indication corresponds to the carcass depth		Depth in mm	Width in mm	Height in mm	Article number			Hinge
Push- fit shelf								
	Push-fit shelf with ABS thick edge all around incl. holders for push fit shelf							
	300 mm wide incl. 2 push-fit holder	150	300	28	S B G	6 0 3 0		
	400 mm wide incl. 2 push-fit holder	150	400	28	S B G	6 0 4 0		
	600 mm wide incl. 2 push-fit holder	150	600	28	S B G	6 0 6 0		
	700 mm wide incl. 3 push-fit holder	150	700	28	S B G	6 0 7 0		
	1000 mm wide incl. 3 push-fit holder	150	1000	28	S B G	6 0 1 0		
	1200 mm wide incl. 3 push-fit holder	150	1200	28	S B G	6 0 1 2		
	1400 mm wide incl. 3 push-fit holder	150	1400	28	S B G	6 0 1 4		
Accessories								
	Towel holder chrome gloss front opened to fit on carcass at side	380	50	10	P Z	1 1 2 7 4 5		
	Towel holder one-armed extendable Chrome hgl. wall-mounted	330-567	44	44	P Z	1 1 3 7 1		
	Towel holder two-armed extendable Chrome hgl. wall-mounted	322-562	87	47	P Z	1 1 3 7 2		
	LED washbasin lighting 2,4 Watt / 168 lumens / 6500 Kelvin 1 switch element to fit underneath mirror cabinet This product contains a light source with energy efficiency class: G not suitable with Emotion lighting	10	560	10	P Z	1 0 6 3 6 0		




Program 063 - model list

Depth indication corresponds to the carcass depth		Depth in mm	Width in mm	Height in mm	Article number			Hinge
Accessories								
	<p>LED washbasin lighting 3,9 Watt / 287 lumens / 6500 Kelvin 1 switch element to fit underneath mirror cabinet This product contains a light source with energy efficiency class: G</p> <p>not suitable with Emotion lighting</p>	10	860	10	P Z	1 0 6 3 9 0		
	<p>LED washbasin lighting 5,3 Watt / 371 lumens / 6500 Kelvin 1 switch element to fit underneath mirror cabinet This product contains a light source with energy efficiency class: G</p> <p>not suitable with Emotion lighting</p>	10	1160	10	P Z	1 0 6 3 1 2		
	<p>Container transparent with single fixing option</p> <p>can be combined with mounting rails - PZ 1237 L</p>	84	84	65	P Z	1 2 3 7 B 1		
	<p>Container transparent with double fixing option</p> <p>can be combined with mounting rails - PZ 1237 L</p>	168	84	65	P Z	1 2 3 7 B 2		
	<p>Container transparent with triple fixing option</p> <p>can be combined with mounting rails - PZ 1237 L</p>	251	84	65	P Z	1 2 3 7 B 3		
	<p>Positioning strip white with single fixing option</p> <p>can be combined with storage boxes - PZ 1237 B</p>	27	83	9	P Z	1 2 3 7 L 1		
	<p>Positioning strip white with double fixing option</p> <p>can be combined with storage boxes - PZ 1237 B</p>	27	167	9	P Z	1 2 3 7 L 2		
	<p>Positioning strip white with triple fixing option</p> <p>can be combined with storage boxes - PZ 1237 B</p>	27	250	9	P Z	1 2 3 7 L 3		

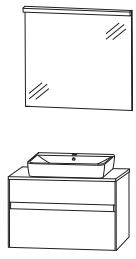
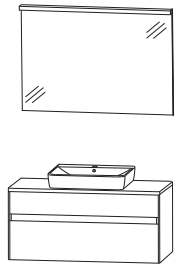
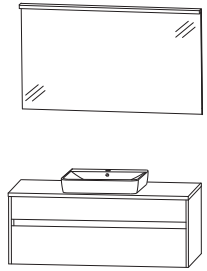
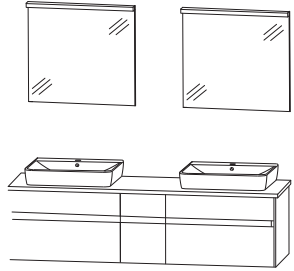
Program 063 - model list

Depth indication corresponds to the carcass depth

Accessories

	Depth in mm	Width in mm	Height in mm	Article number			Hinge		
 <p>Positioning strip white with sixfold fixing option can be combined with storage boxes - PZ 1237 B</p>	27	504	9	P Z	1 2 3 7	L 6			
 <p>Space-saving drain stench trap from GEBERIT made of plastic, in white nominal diameter: 40</p>				P Z	1 3 6 7				
 <p>Space-saving drain stench trap from GEBERIT made of plastic, in white nominal diameter: 32</p>				P Z	1 4 2 3				

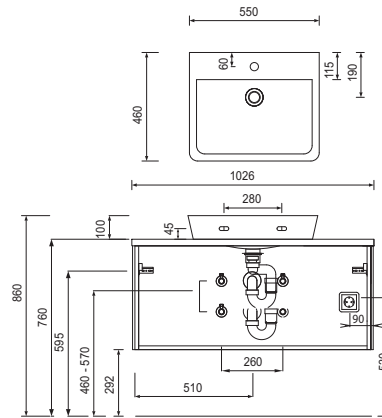
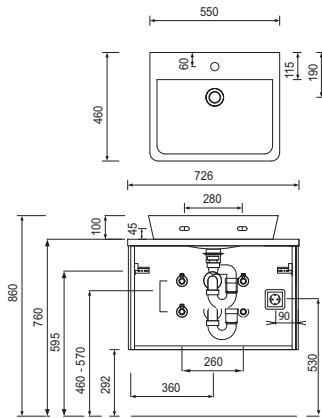
Program 063 - bathroom variations

UNK-0170-1			
1	Mirror	F S A 4 3 7 0 1 2	
1	counter top washbasin Connect Air, white	W T A 0 8 0 5 1	
1	washbasin plate 726 mm	A P A 5 0 7 0 6 3	
1	cut- out central	A U S 0 8 0 5 2 8	
1	Washbasin base unit	S E T 3 8 7 S 1 G	
			700 mm wide
UNK-0110-1			
1	Mirror	F S A 4 3 1 0 1 2	
1	counter top washbasin Connect Air, white	W T A 0 8 0 5 1	
1	washbasin plate 1026 mm	A P A 5 0 1 0 6 3	
1	cut- out central	A U S 0 8 0 5 2 8	
1	Washbasin base unit	S E T 3 8 1 S 1 G	
			1000 mm wide
UNK-0112-1			
1	Mirror	F S A 4 3 1 2 1 2	
1	counter top washbasin Connect Air, white	W T A 0 8 0 5 1	
1	washbasin plate 1226 mm	A P A 5 0 1 2 6 3	
1	cut- out central	A U S 0 8 0 5 2 8	
1	Washbasin base unit	S E T 3 8 2 S 1 G	
			1200 mm wide
UNK-0117-1			
2	Mirror	F S A 4 3 7 0 1 2	
2	counter top washbasin Connect Air, white	W T A 0 8 0 5 1	176
1	washbasin plate 1726 mm	A P A 5 0 1 7 6 3	44
2	cut- out left and right	A U S 0 8 0 5 2 8	24
1	Washbasin base unit	S E T 3 8 1 7 1 G	522
			1700 mm wide

Program 063 - dimensional drawings

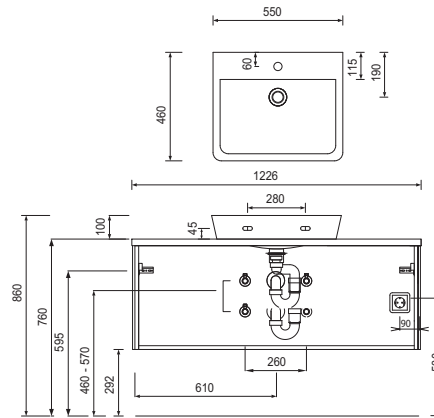
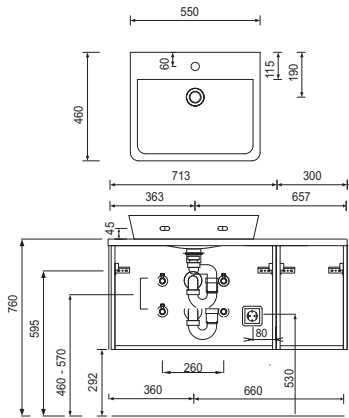
WTA 0805 + SET 387S

WTA 0805 + SET 381S



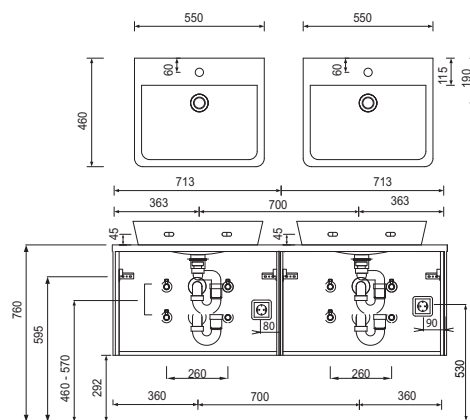
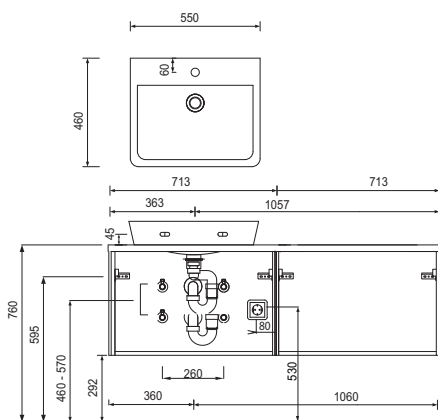
WTA 0805 + SET 3810 R

WTA 0805 + SET 382S



WTA 0805 + SET 384E

WTA 0805 + SET 3814



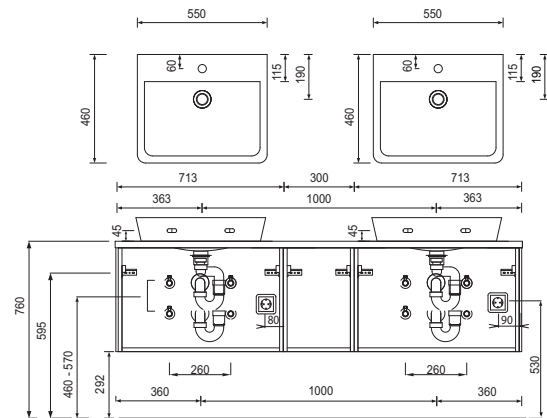
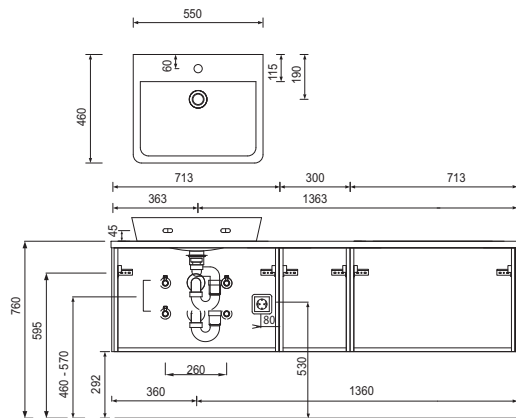
Modifications:

Technical modifications (+/- 5mm) and flatness modifications (DIN 18202) are subject of the usual material-specific modifications for construction materials, based on DIN 18202.

Program 063 - dimensional drawings

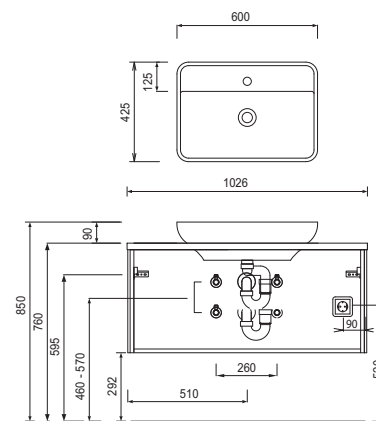
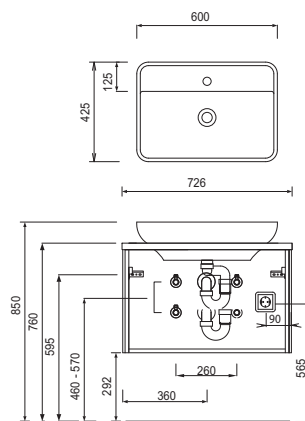
WTA 0805 + SET 387E

WTA 0805 + SET 3817



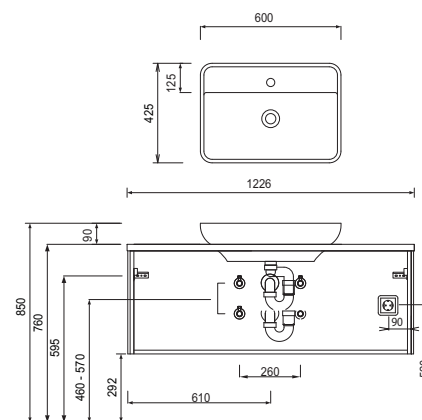
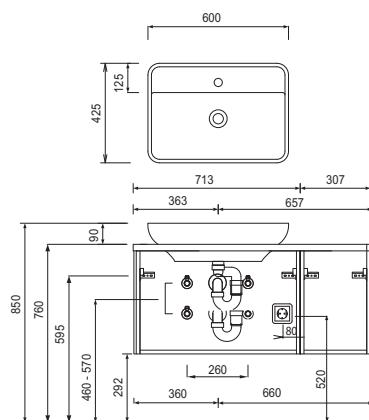
WTA 1104 + SET 387S

WTA 1104 + SET 381S



WTA 1104 + SET 3810 R

WTA 1104 + SET 382S



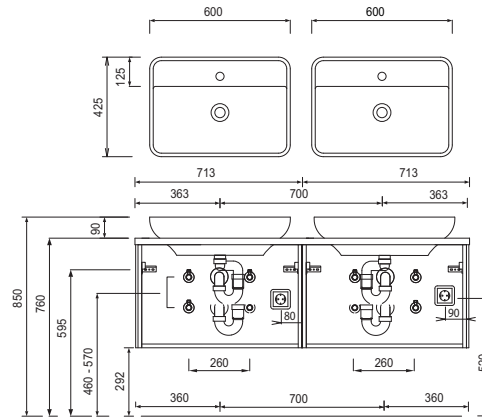
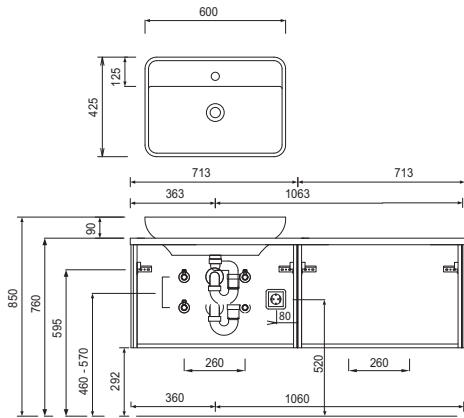
Modifications:

Technical modifications (+/- 5mm) and flatness modifications (DIN 18202) are subject of the usual material-specific modifications for construction materials, based on DIN 18202.

Program 063 - dimensional drawings

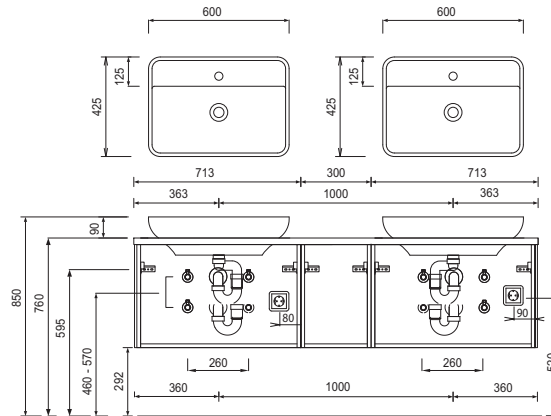
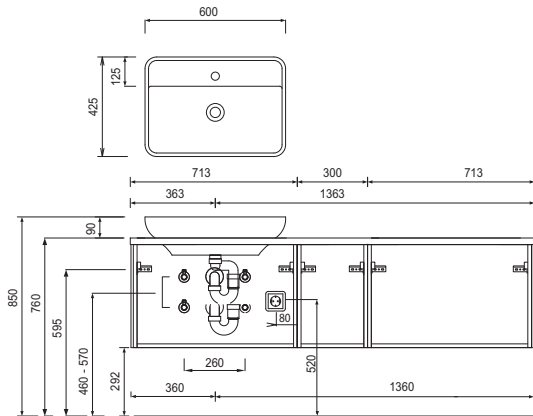
WTA 1104 + SET 384E

WTA 1104 + SET 3810 R



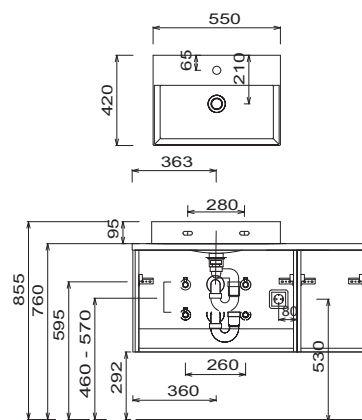
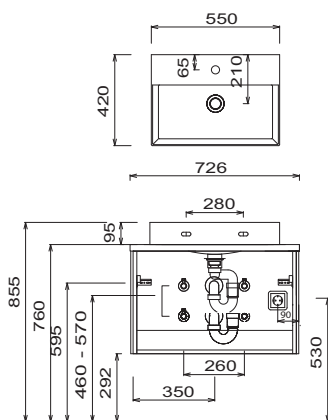
WTA 1104 + SET 387E

WTA 1104 + SET 3817



WTA 4255 + SET 387S

WTA 4255 + SET 3810 R



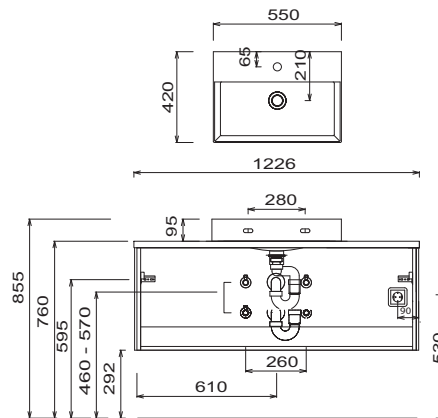
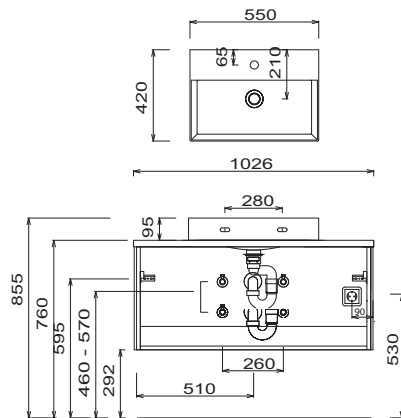
Modifications:

Technical modifications (+/- 5mm) and flatness modifications (DIN 18202) are subject of the usual material-specific modifications for construction materials, based on DIN 18202.

Program 063 - dimensional drawings

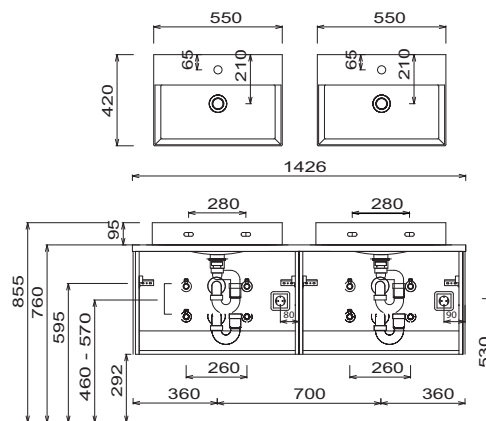
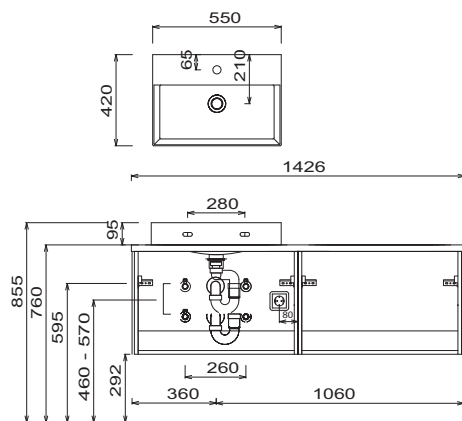
WTA 4255 + SET 381S

WTA 4255 + SET 382S



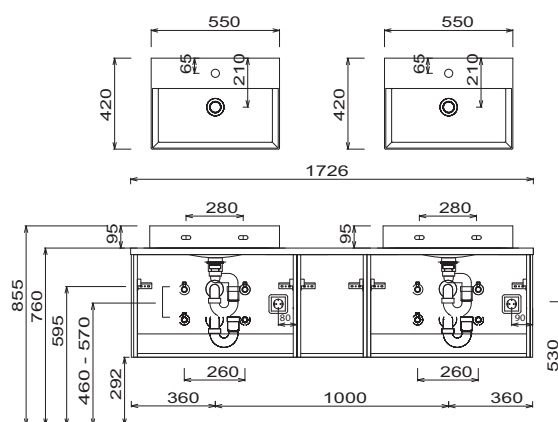
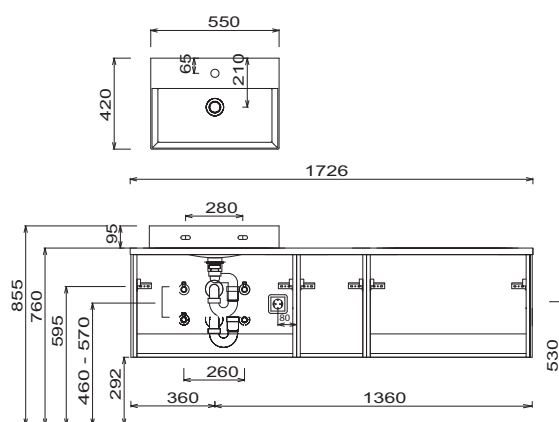
WTA 4255 + SET 384E R

WTA 4255 + SET 3814



WTA 4255 + SET 387E R

WTA 4255 + SET 3817



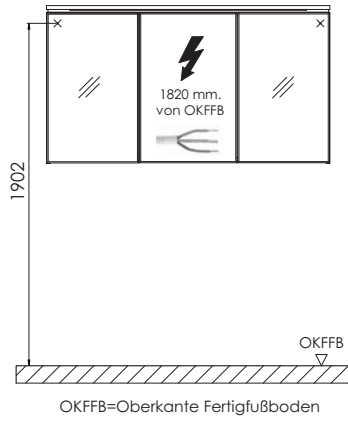
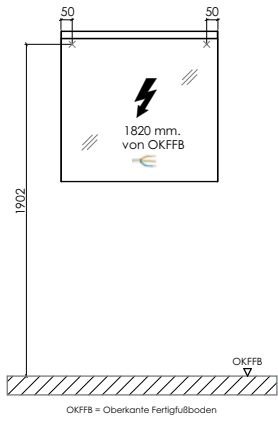
Modifications:

Technical modifications (+/- 5mm) and flatness modifications (DIN 18202) are subject of the usual material-specific modifications for construction materials, based on DIN 18202.

Program 063 - dimensional drawings

electrical connections for mirror cabinets

electrical connections for mirror cabinets



Modifications:

Technical modifications (+/- 5mm) and flatness modifications (DIN 18202) are subject of the usual material-specific modifications for construction materials, based on DIN 18202.