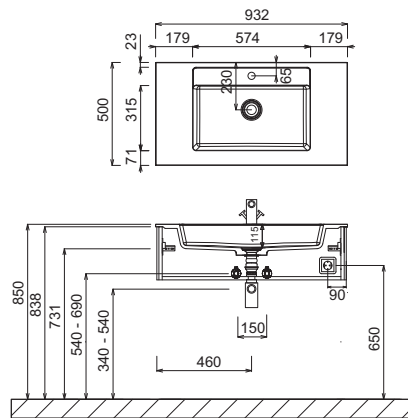
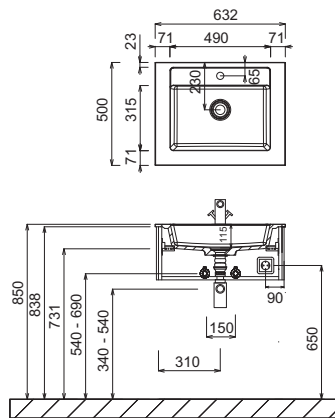


Program 070 - dimensional drawings

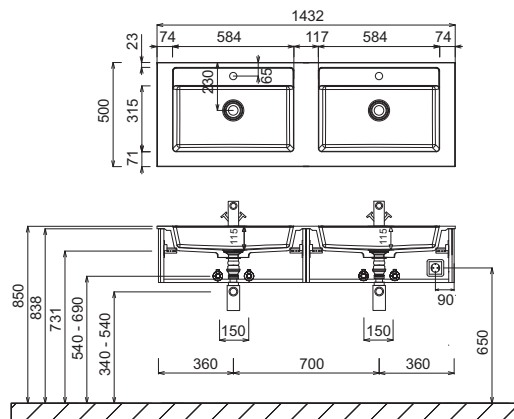
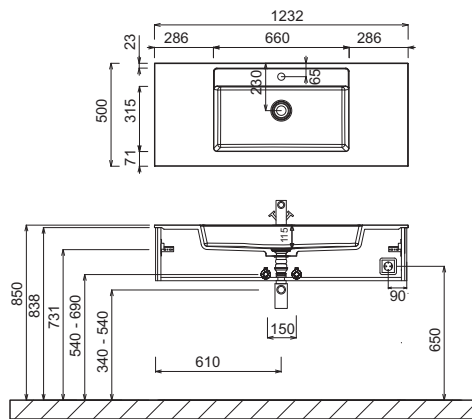
WMS/WGS 2306 + SET 2960

WMS/WGS 2309 + SET 2990



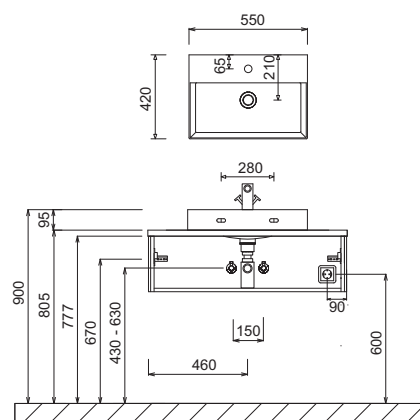
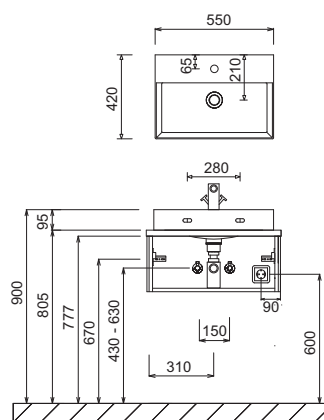
WMS/WGS 2312 + SET 2912

WMS/WGS 234D + SET 2914



WTA 4255 1 + APA 5060 63 + SET 2960

WTA 4255 1 + APA 5090 63 + SET 2990



Washing stands without anchoring brackets have to be fixed on the wall and on the furniture-side with silicon!

STONEPLUS:

The water temperature must not exceed 55° C / 131° F. Hair tinting lotions have to be removed in a few seconds, so that staining can be avoided.

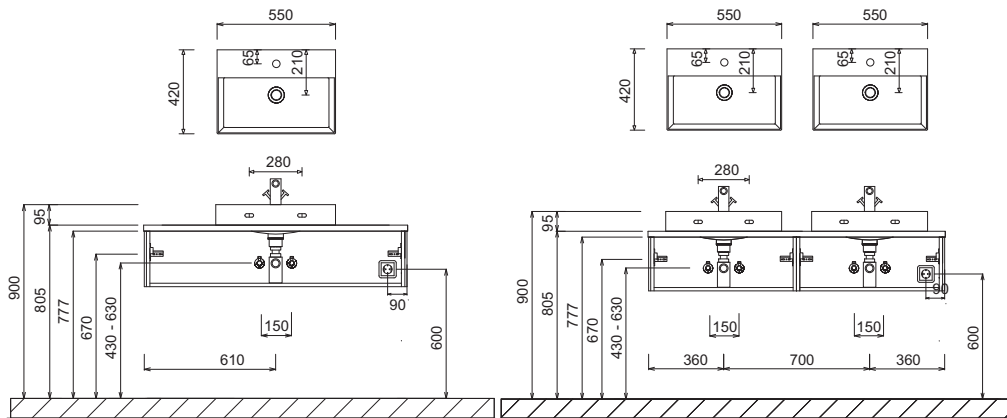
Modifications:

Technical modifications (+/- 5mm) and flatness modifications (DIN 18202) are subject of the usual material-specific modifications for construction materials, based on DIN 18202.

Program 070 - dimensional drawings

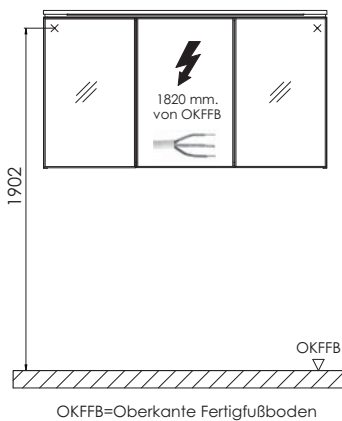
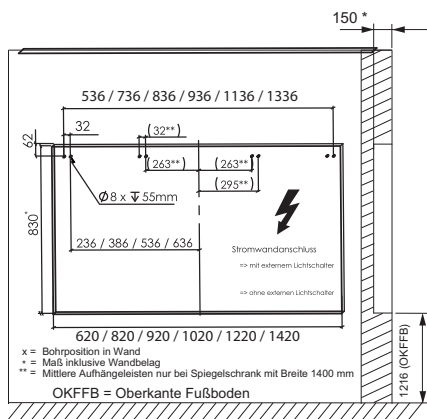
WTA 4255 1 + APA 5012 63 + SET 2912

2x WTA 4255 1 + APA 5014 63 + SET 2914



Built-in mirrored cabinet

electrical connections for mirror cabinets



Washing stands without anchoring brackets have to be fixed on the wall and on the furniture-side with silicon!

STONEPLUS:

The water temperature must not exceed 55° C / 131° F. Hair tinting lotions have to be removed in a few seconds, so that staining can be avoided.

Modifications:

Technical modifications (+/- 5mm) and flatness modifications (DIN 18202) are subject of the usual material-specific modifications for construction materials, based on DIN 18202.