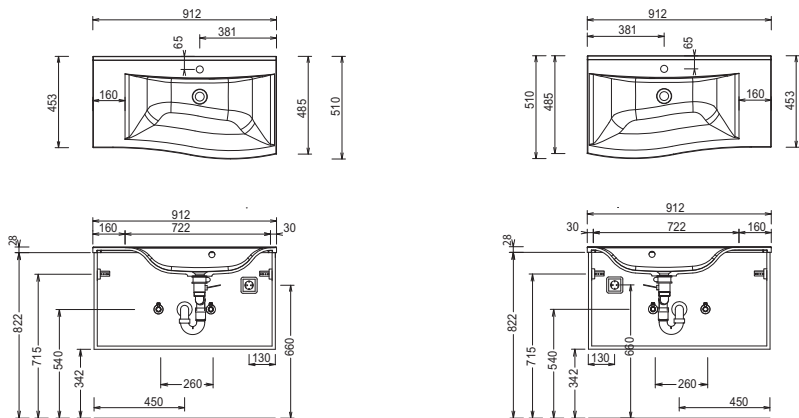


# Program 058 - dimensional drawings

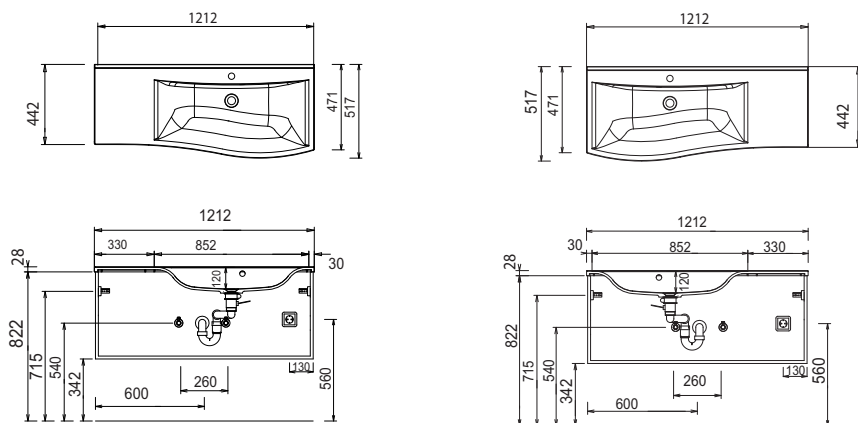
SET P229 / P209 (B)L

SET P229 / P209 (B)R

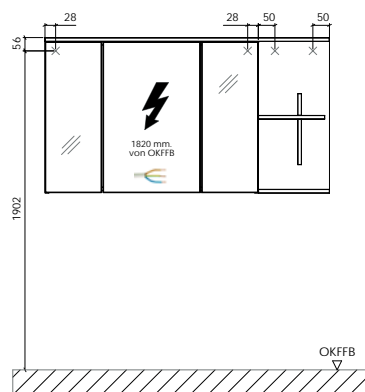


SET P222 / P212 (B)L

SET P222 / P212 (B)R



## electrical connections for mirror cabinets



OKFFB = Oberkante Fertigfußboden

### Cast mineral:

The water temperature must not exceed 55° C / 131° F. Hair tinting lotions have to be removed immediately, so that staining can be avoided.

### Modifications:

Technical modifications (+/- 5mm) and flatness modifications (DIN 18202) are subject of the usual material-specific modifications for construction materials, based on DIN 18202.