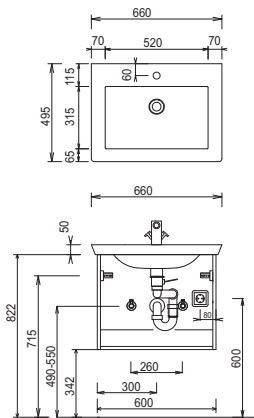
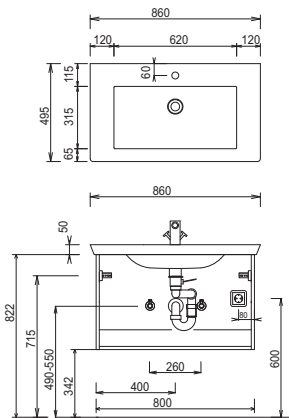


Program 064 - dimensional drawings

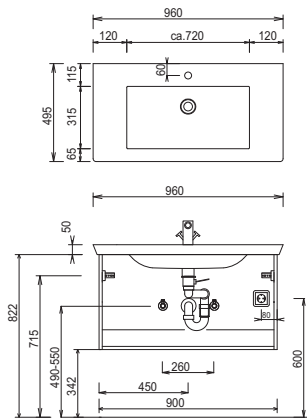
SET KL60 1



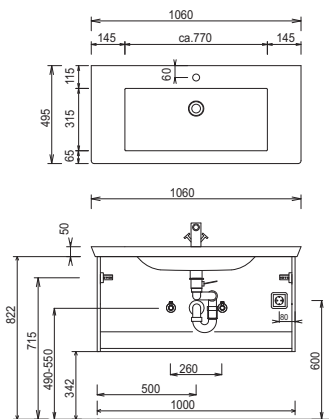
SET KL80 1



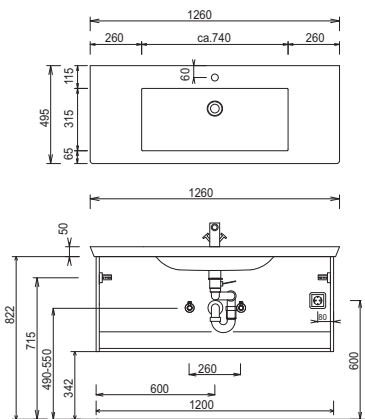
SET KL90 1



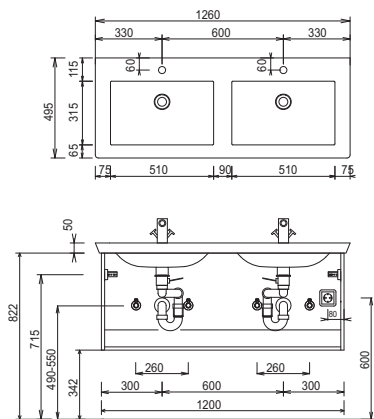
SET KL10 1



SET KL12 1

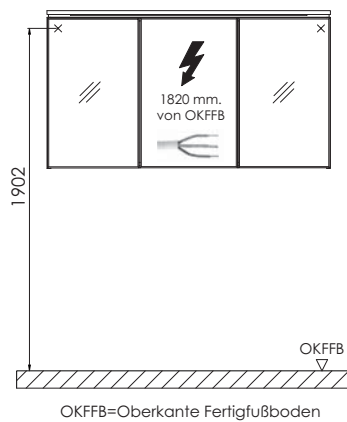
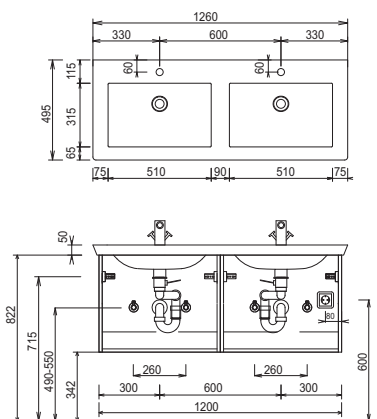


SET KL12 D1



SET KL2D 1

electrical connections for mirror cabinets



Washing stands without anchoring brackets have to be fixed on the wall and on the furniture-side with silicon!

Modifications:

Technical modifications (+/- 5mm) and flatness modifications (DIN 18202) are subject of the usual material-specific modifications for construction materials, based on DIN 18202.