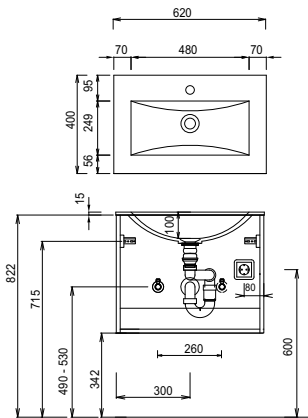
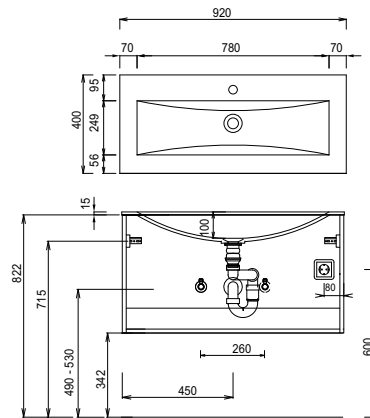


Program 061 - dimensional drawings

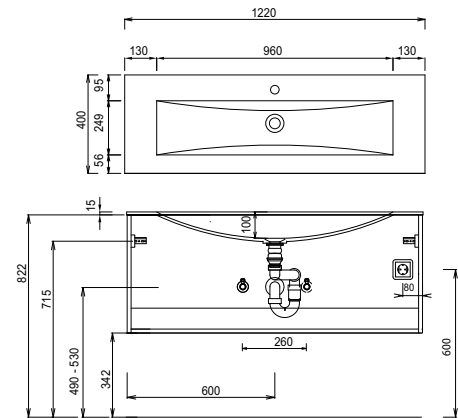
WMS 4060 61



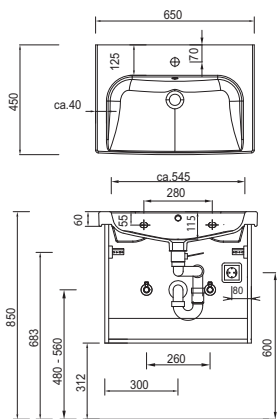
WMS 4090 61



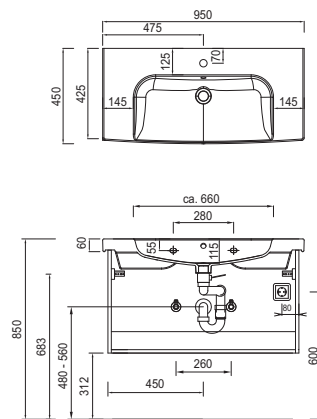
WMS 4120 61



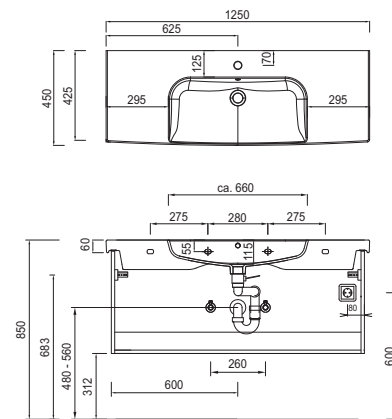
WTK 7065 1



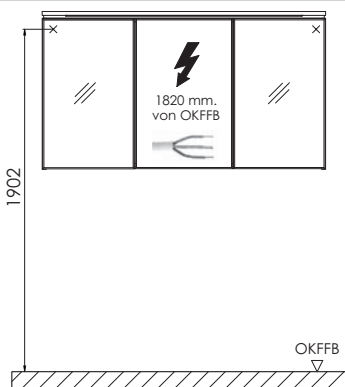
WTK 7095 1



WTK 7125 1



electrical connections for mirror cabinets



OKFFB=Oberkante Fertigfußboden

Washing stands without anchoring brackets have to be fixed on the wall and on the furniture-side with silicon!

For washing stands with fixing screws, the dimensions for boring must be drawn in on-site after the washing stand has been laid on the floor unit.

STONEPLUS:

The water temperature must not exceed 55° C / 131° F. Hair tinting lotions have to be removed in a few seconds, so that staining can be avoided.

Modifications:

Technical modifications (+/- 5mm) and flatness modifications (DIN 18202) are subject of the usual material-specific modifications for construction materials, based on DIN 18202.