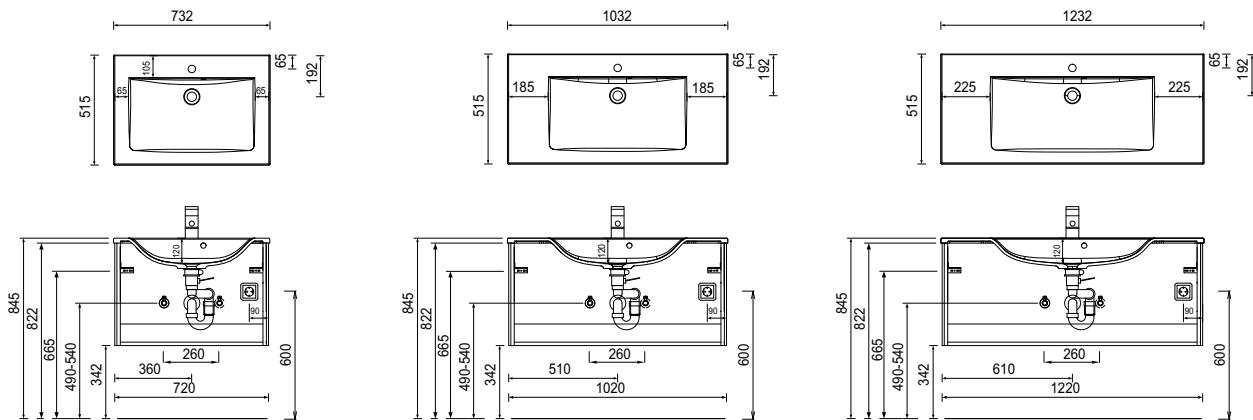


Program 065 - dimensional drawings

SET DL70 1

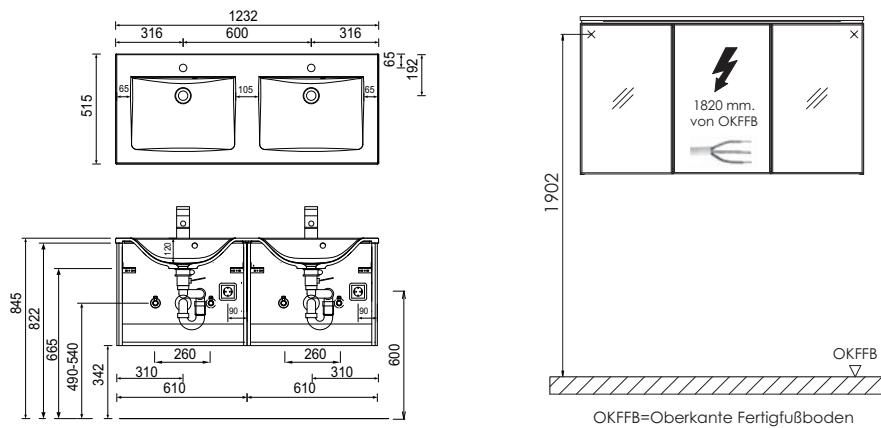
SET DL10 1

SET DL12 1



SET DL2D 1

electrical connections for mirror cabinets



OKFFB=Oberkante Fertigfußboden

Cast mineral:

The water temperature must not exceed 55° C / 131° F. Hair tinting lotions have to be removed immediately, so that staining can be avoided.

Modifications:

Technical modifications (+/- 5mm) and flatness modifications (DIN 18202) are subject of the usual material-specific modifications for construction materials, based on DIN 18202.