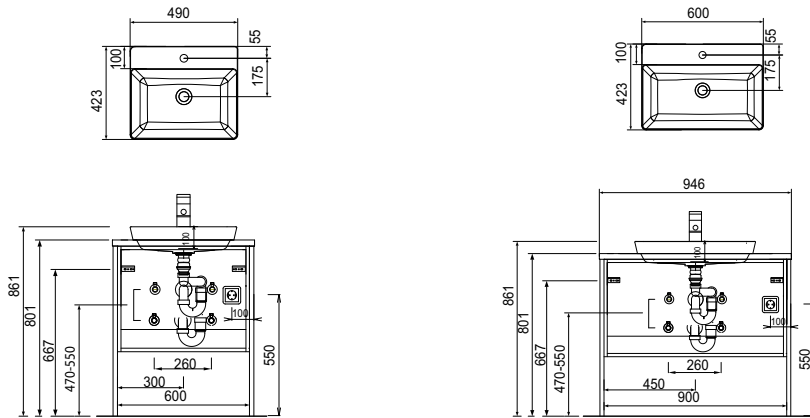


# Program 066 - dimensional drawings

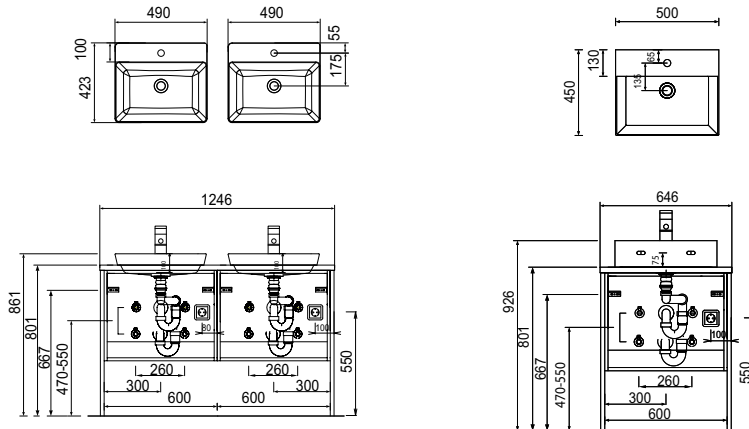
WTA S111 1 + WUA 3360 P3 +  
2x SDH 4978 01

WTA S112 1 + WUA 3390 P3 +  
2x SDH 4978 01



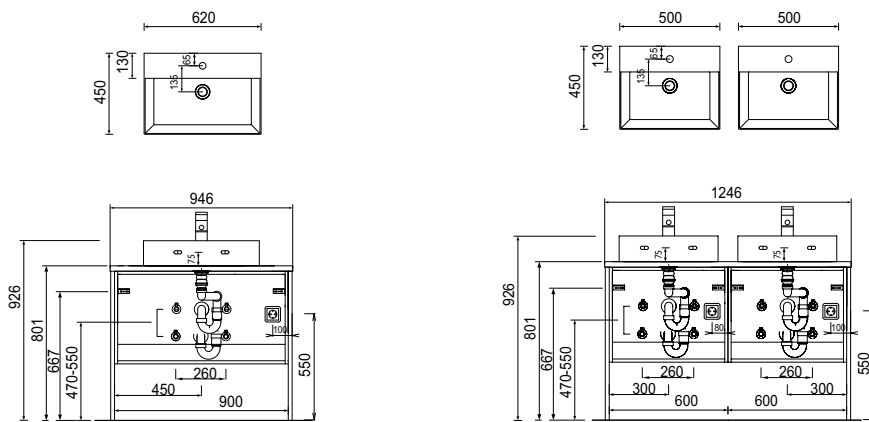
2x WTA S111 1 + 2x WUA 3360 P3 +  
2x SDH 4978 01

WTM 4805 + WUA 3360 P3 +  
2x SDH 4978 01



WTM 4806 + WUA 3390 P3 +  
2x SDH 4978 01

2x WTM 4805 + 2x WUA 3360 P3 +  
2x SDH 4978 01



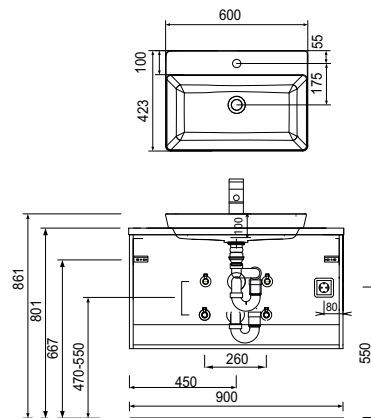
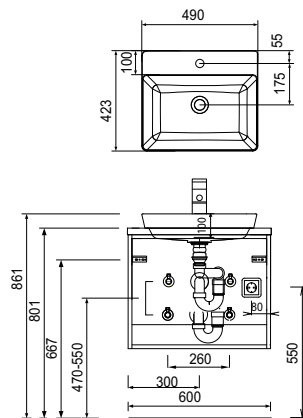
Modifications:

Technical modifications (+/- 5mm) and flatness modifications (DIN 18202) are subject of the usual material-specific modifications for construction materials, based on DIN 18202.

# Program 066 - dimensional drawings

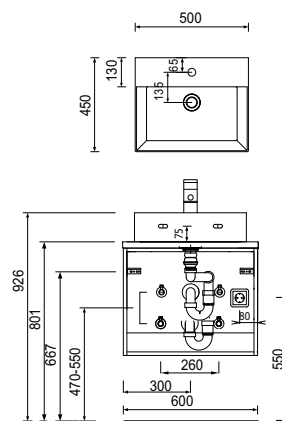
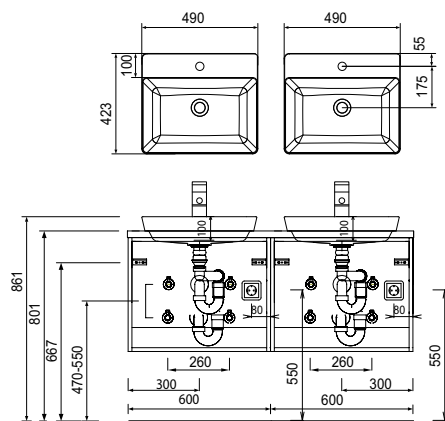
WTA S111 1 + WUA 3360 P3

WTA S112 1 + WUA 3390 P3



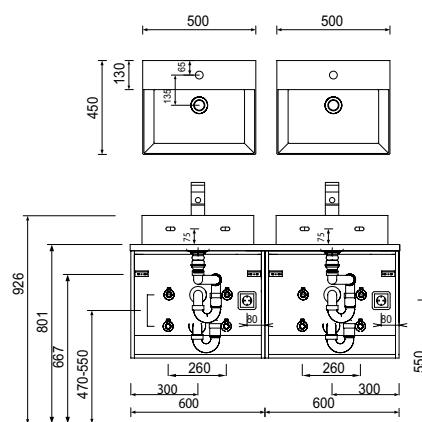
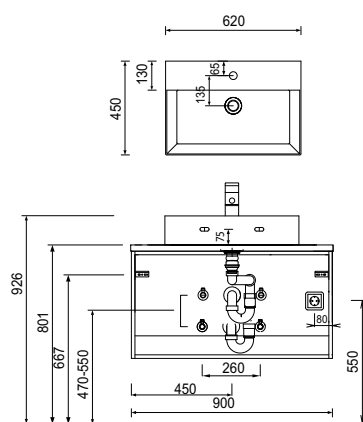
2x WTA S111 1 + 2x WUA 3360 P3

WTM 4805 + WUA 3360 P3



WTM 4806 + WUA 3390 P3

2x WTM 4805 + 2x WUA 3360 P3

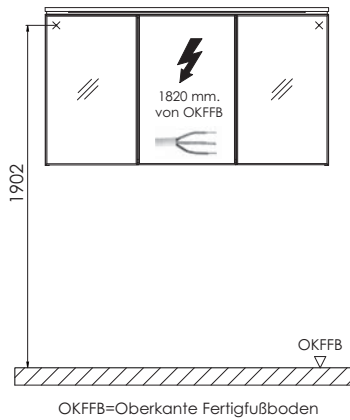


## Modifications:

Technical modifications (+/- 5mm) and flatness modifications (DIN 18202) are subject of the usual material-specific modifications for construction materials, based on DIN 18202.

# Program 066 - dimensional drawings

electrical connections for mirror cabinets



## Modifications:

Technical modifications (+/- 5mm) and flatness modifications (DIN 18202) are subject of the usual material-specific modifications for construction materials, based on DIN 18202.